



Easy-Trunk™



Porta-Trunk™

Compact, portable fume collectors effectively filter smoke, dust, and fumes from welding and grinding applications.

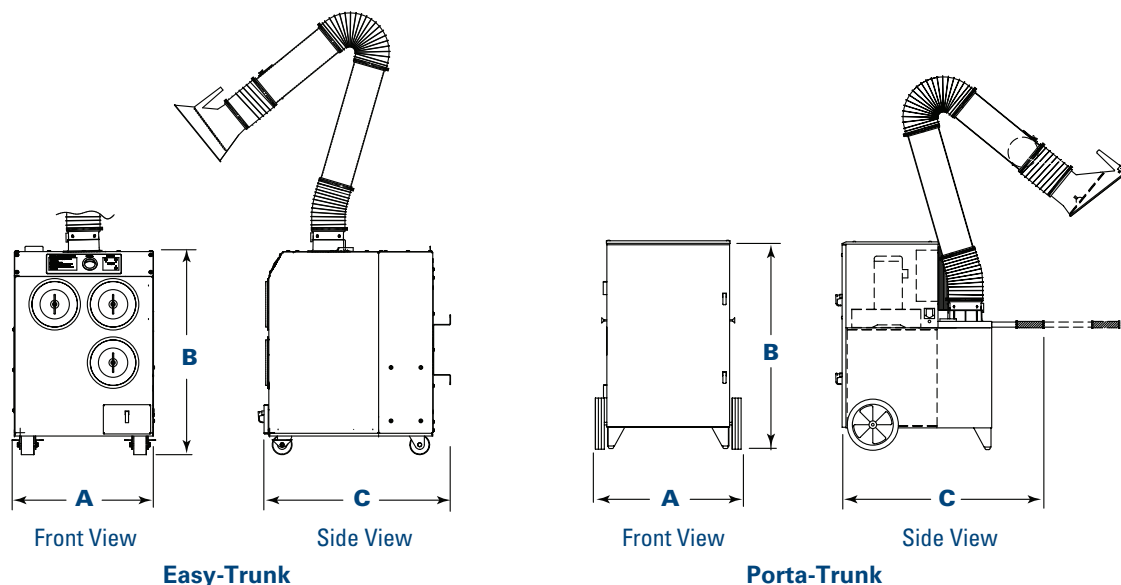
EASY-TRUNK™ COLLECTOR

- For heavier duty or more frequent plant operations
- Built-in pulse filter cleaning system
- Push buttons conveniently located on front of unit and/or on fume hood
- Ultra-Web® nanofiber filters provide high MERV* 15 filtration efficiency per ASHRAE 52.2-2007
- “Plug and go” operation
- Fits easily through standard doorway

PORTA-TRUNK™ COLLECTOR

- For light duty or infrequent plant operations
- Static (non-pulsed) filter system
- Operating controls conveniently located on fume hood
- Ultra-Web® nanofiber filters provide high MERV* 15 filtration efficiency per ASHRAE 52.2-2007
- “Plug and go” operation
- Fits easily through standard doorway

DIMENSIONS & SPECIFICATIONS



Model	Nominal Airflow**		Motor (hp)	Dimensions						Shipping Weight		Sound Level dB(A) [†]
	cfm	m ³ /h		A		B		C		lb	kg	
				in	mm	in	mm	in	mm			
Easy-Trunk	750	1274	1.5	28.0	711.2	40.9	1038.9	38.6	980.4	400	181.4	70
Porta-Trunk	780	1325	1.5	27.5	698.5	40.3	1023.6	35.4	899.2	340	154.2	75

STANDARD FEATURES & OPTIONS

STANDARD	OPTIONAL
Ultra-Web® FR cartridge filters	Extraction arm: 6 in. x 10 ft. (152.4 mm x 3.0 m)
1.5 hp TEFC motor	
115/60/1 voltage	
Extraction arm: 6 in. x 6.5 ft. (152.4 mm x 2.0 m)	
Hood-mounted light with switch	
Fully assembled and wired	
10-year warranty	

* The Minimum Efficiency Reporting Value (MERV) of this filter cartridge has been determined through independent laboratory testing using ASHRAE 52.2 (2007) test standards. The MERV rating was determined at a face velocity of 118 feet (36.0 m) per minute and loading up to four inches (101.6 millimeters) water gauge. Actual efficiency of any filter cartridge will vary according to the specific application parameters. Dust concentration, airflow, particle characteristics, and pulse cleaning methods all affect filtration efficiency.

** Based on clean filters.

† Sound level per ANSI S12.34.1988. The actual measured sound level will vary, depending on background noise and room conditions.

Significantly improve the performance of your collector with genuine Donaldson Torit replacement filters and parts. **Call Donaldson Torit today 800-365-1331.**



Tel 800-365-1331 (USA)
Tel 800-343-3639 (within Mexico)

donaldsontorit@donaldson.com
donaldsontorit.com

Donaldson Company, Inc.
Torit
P.O. Box 1299
Minneapolis, MN
55440-1299 U.S.A.

EXACTLY WHAT YOU NEED.™

Easy-Trunk Porta-Trunk Fume Collectors (04/14)
© 1998 Donaldson Co., Inc. All Rights Reserved. All products, product specifications, and data (airflow, capacity, dimensions, or availability) are subject to change without notice, and may vary by region or country. Donaldson Torit and Ultra-Web are registered trademarks of Donaldson Company, Inc. Contains Donaldson proprietary technology.