

Donaldson.
Torit®

**MODULAR BAGHOUSE
DUST COLLECTORS**

ULTRA-WEB®
High Efficiency Nanofiber Filters Built to Last

DURA-LIFE™
Twice The Life Filter Bags



COMPACT, MODULAR DESIGN

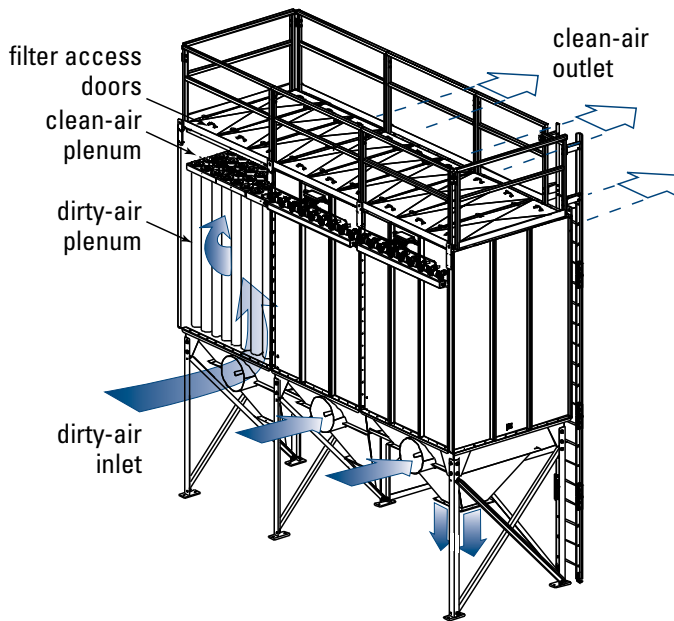
The Donaldson® Torit® Modular Baghouse (MB) delivers reliable, efficient, continuous-duty, pulse-jet operation. The MB advantage is found in the breakthrough technology of Dura-Life™ bag filters. Dura-Life bags offer longer bag life and reduced emissions. The MB is now also available with Ultra-Web Spunbond Pleated Bags. This option provides pleated filters with our Ultra-Web nanofiber web-like net to capture dust on the surface of the filter. These filters reduce emissions, provide longer filter life and allow the collector to be downsized to reduce the overall purchase price. The MB provides reliable service with easy maintenance. Computer designed inlets and deflector plates, coupled with maximized bag spacing, result in optimal airflow with minimal abrasion. Advanced valves, providing 50% more cleaning air, result in a more efficient operation. Over the life of the collector, no other baghouse can provide this much value.

Modular Baghouse Features:

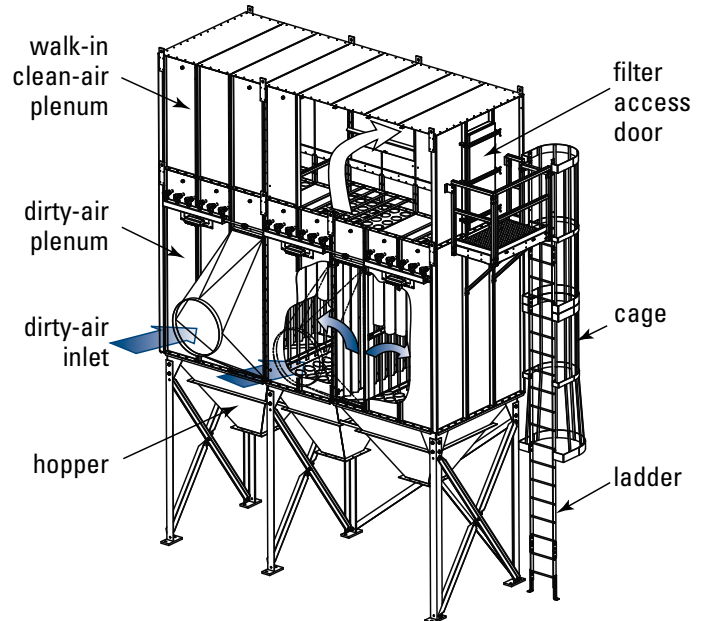
- High body inlet models allow higher air-to-media ratios on lighter dusts
- Square models help minimize ducting and accessory costs
- Dura-Life "Twice the Life" Bag Filters
- Ultra-Web SB Pleated Bag Option
- Clean air bag access for easier bag service
- Welded design increases durability
- Integral fan option reduces space requirements
- Tool-free installation of bag filters and cages
- 10-year warranty



OPERATIONS & FEATURES



MBT NORMAL OPERATION



MBW HIGH INLET NORMAL OPERATION

BAGHOUSE OPERATIONS THAT WORK

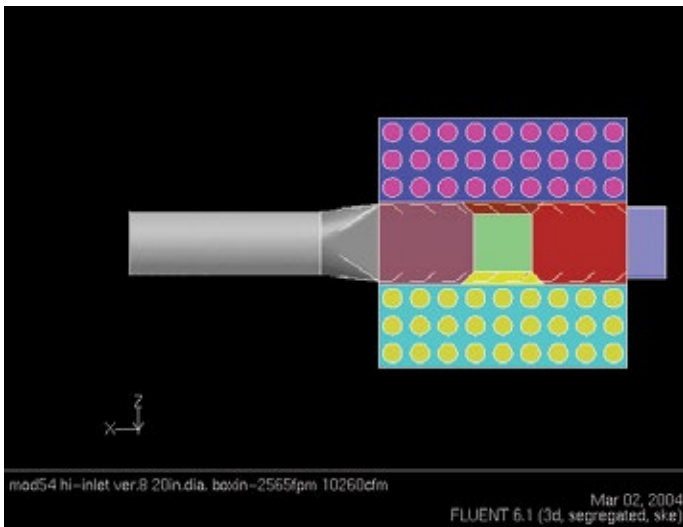
The Modular Baghouse collector comes in two models: the MBT allows walk-on, top access to the bags (clean-air side) of the collector. This configuration is ideal for indoor or tight budget applications. The MBW offers a walk-in clean-air plenum, so bags can be replaced in any kind of outdoor weather.

The MB has two inlet configurations; the most common configuration allows the dirty-air to enter through the hopper inlet located under the bag filters. The dirty air hits a deflector at the end of the inlet, which causes heavy particulate to fall directly into the hopper. This reduces the amount of dust that comes in contact with the bags resulting in longer bag life and lower pressure drop. For applications with light and fibrous dust, a high body inlet is available that reduces upward air velocities allowing the dust to properly fall into the hopper after the bags have been pulsed.

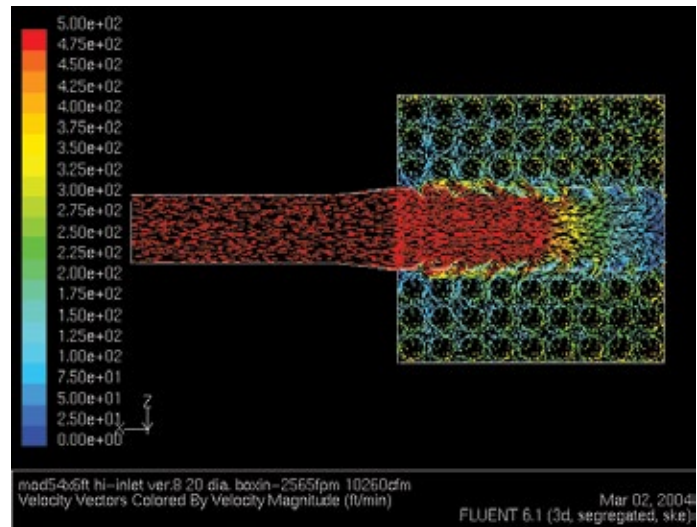
HIGH-VOLUME PERFORMANCE
 WITH DURA-LIFE™ "TWICE THE LIFE" BAG FILTERS
 OR OUR **NEW** ULTRA-WEB SB PLEATED BAGS

ENGINEERED FOR RELIABLE PERFORMANCE

Modular Baghouses are a reflection of Donaldson Torit's commitment to technical research and development. Sophisticated FLUENT R* computer analysis has been used to assure the Modular Baghouse provides uniform airflow resulting in reduced bag abrasion, longer bag life and lower maintenance costs.



Top view of Modular Baghouse with high inlet without airflow.



Top view of Modular Baghouse with high inlet showing FLUENT Computer Analysis of airflow.

FLUENT computer airflow analysis shows that the baffles in the MB hopper deflect and reduce dust particle velocities and then properly distribute them throughout the collector for effective filtration with minimum bag and collector wear.

DUMPSTER DISCHARGE FOR HEAVY DUST LOADING

For applications with heavy dust loading, the MB has an easy to use Dumpster Discharge. This option provides either a two or three cubic yard self-dumping dumpster that can be hauled away with the use of a forklift. The dumpster comes with a lid that seals the system so that no rotary valve is required. The lid is lifted off of the dumpster via a mechanical lift, which is included with the package.



* FLUENT is a registered trademark of Fluent, Inc.

PROVEN PERFORMANCE ON HUNDREDS OF APPLICATIONS



162MBT8 on Wood Dust



54MBTH8 - Cabinet Shop on Wood Dust from Cutting, Moulding & Sanding



324MBWS10 at a Glass Manufacturing Facility



405MBW10 at a Foundry



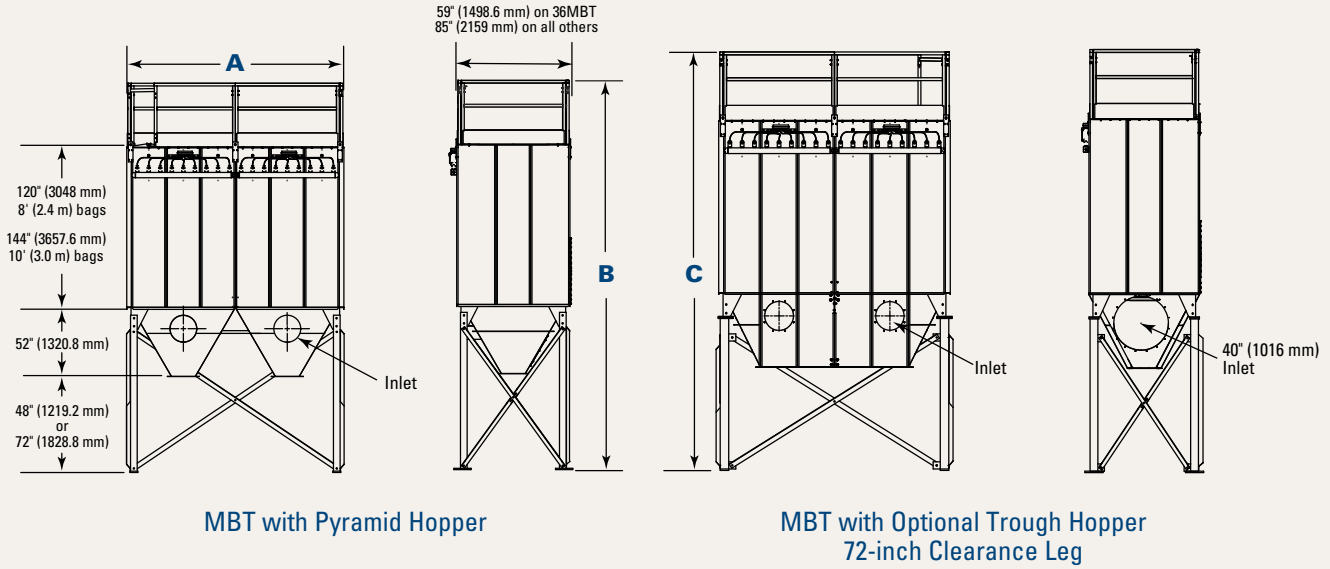
405MBT8 at a Brick Manufacturing Facility



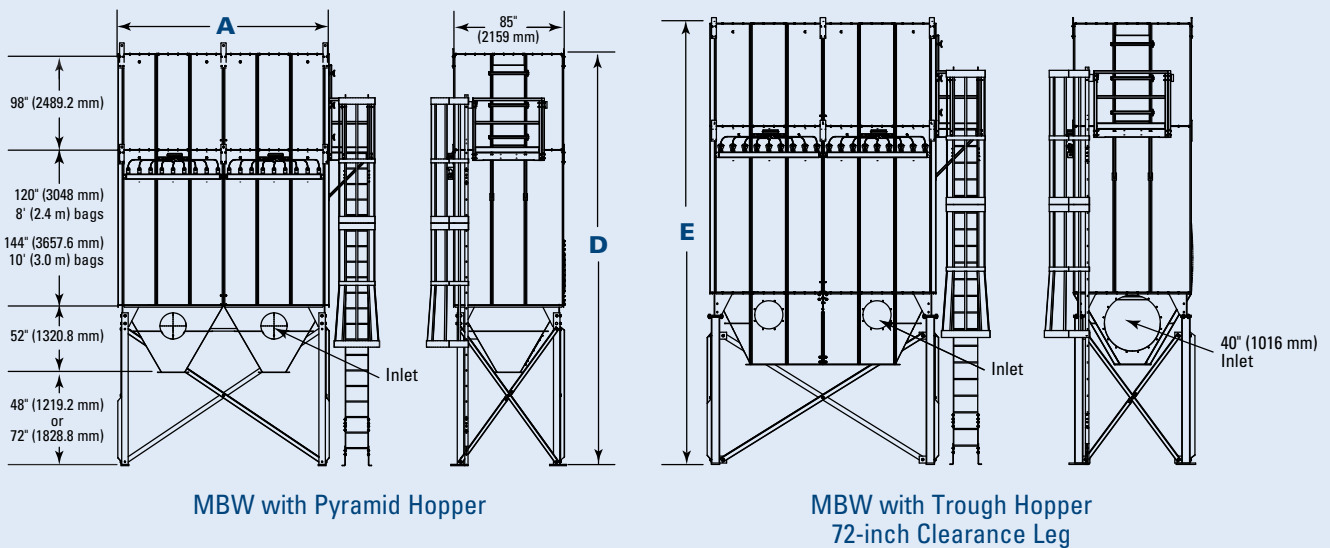
324MBWS10 at a Shingle Manufacturing Facility Collecting Sand

DIMENSIONS & SPECIFICATIONS

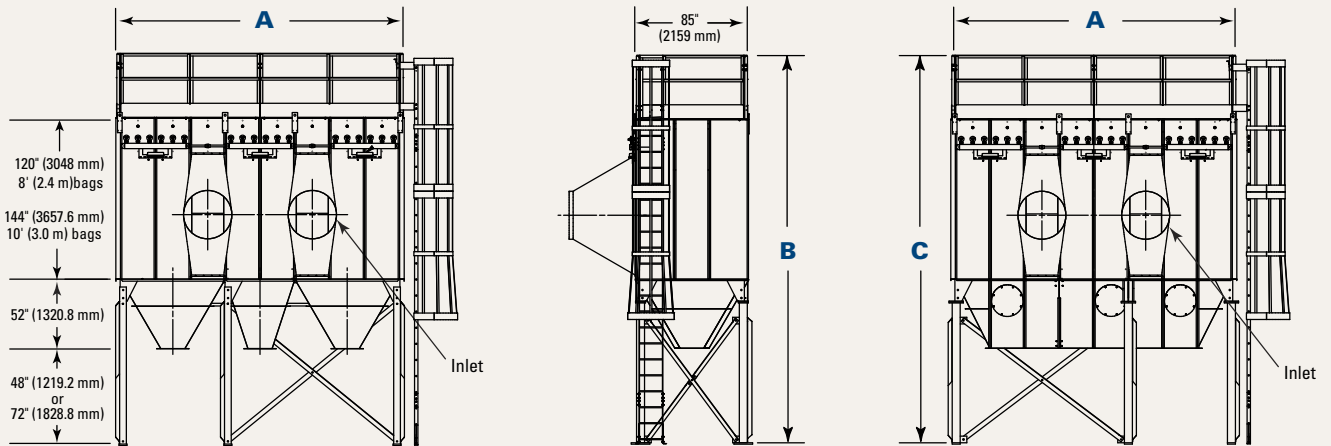
MODEL 162MBT8 SHOWN



MODEL 162MBW8 SHOWN



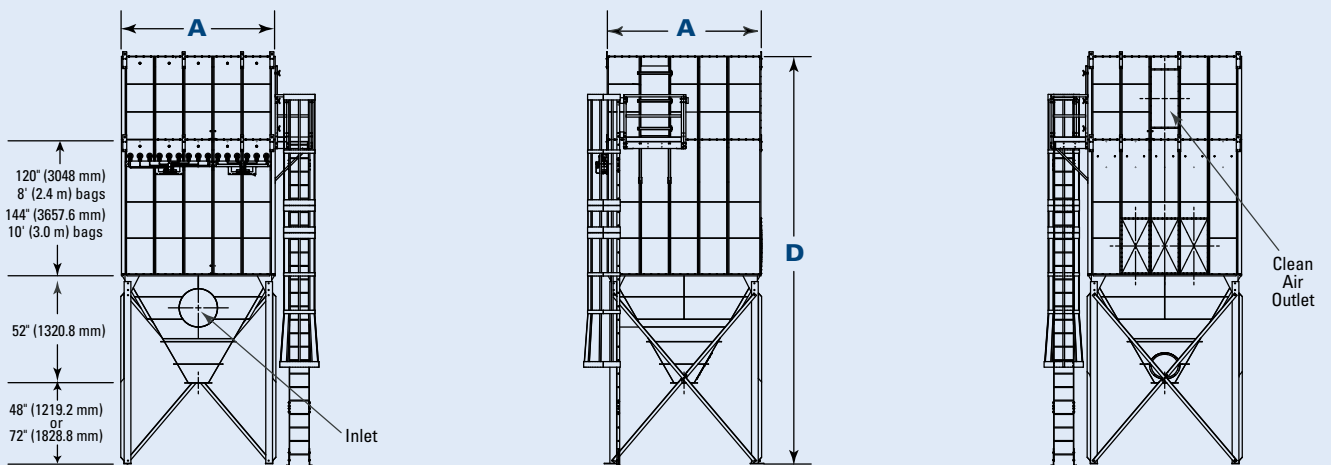
MODEL 162MBTH8 SHOWN



MBTH with Pyramid Hopper

MBTH with Trough Hopper

MODEL 162MBWS8 SHOWN



MBWS with Pyramid Hopper

MBWS with Pyramid Hopper Side View

MBWS with Pyramid Hopper Rear View

DIMENSIONS & SPECIFICATIONS

Model	Bag Cloth Area		Pleated Bag Media Area								No. of Bags	No. of Valves	Shipping Weight			
	ft ²	m ²	20" UW		40" UW		60" UW		80" UW				MBT		MBW	
			ft ²	m ²	ft ²	m ²	ft ²	m ²	ft ²	m ²			lb	kg	lb	kg
36 MBT5	288	26.8	425	39.5	850	78.9	1,274	118.4	1,703	158.2	36	6	3000	1,360.8	—	—
36 MBT6	345	32.1	425	39.5	850	78.9	1,274	118.4	1,703	158.2	36	6	3100	1,406.1	—	—
36 MBT8	460	42.7	425	39.5	850	78.9	1,274	118.4	1,703	158.2	36	6	3400	1,542.2	—	—
54 MBT6	518	48.1	637	59.2	1,274	118.4	1,912	177.6	2,554	237.3	54	6	3900	1,769.0	—	—
54 MBT8	691	64.2	637	59.2	1,274	118.4	1,912	177.6	2,554	237.3	54	6	4200	1,905.1	—	—
54 MBT10	866	80.5	637	59.2	1,274	118.4	1,912	177.6	2,554	237.3	54	6	5300	2,404.0	—	—
54 MBT(W)H8	691	64.2	637	59.2	1,274	118.4	1,912	177.6	2,554	237.3	54	6	5890	2,671.7	6870	3,116.2
54 MBT(W)H10	866	80.5	637	59.2	1,274	118.4	1,912	177.6	2,554	237.3	54	6	6565	2,977.8	7710	3,497.2
81 MBT(W)8	1039	96.5	956	88.8	1,912	177.6	2,867	266.4	3,831	355.9	81	9	5800	2,630.8	6800	3,084.4
81 MBT(W)10	1299	120.7	956	88.8	1,912	177.6	2,867	266.4	3,831	355.9	81	9	7300	3,311.2	7900	3,583.4
81 MBT(W)H8	1039	96.5	956	88.8	1,912	177.6	2,867	266.4	3,831	355.9	81	9	7085	3,213.7	8145	3,694.5
81 MBT(W)H10	1299	120.7	956	88.8	1,912	177.6	2,867	266.4	3,831	355.9	81	9	7690	3,488.1	9172	4,160.3
108 MBT(W)8	1383	128.5	1,274	118.4	2,549	236.8	3,823	355.2	5,108	474.6	108	12	7800	3,538.0	8400	3,810.2
108 MBT(W)10	1730	160.7	1,274	118.4	2,549	236.8	3,823	355.2	5,108	474.6	108	12	8500	3,855.5	9400	4,263.8
108 MBT(W)H8	1383	128.5	1,274	118.4	2,549	236.8	3,823	355.2	5,108	474.6	108	12	8480**	3,846.5**	9555**	4,334.1**
108 MBT(W)H10	1730	160.7	1,274	118.4	2,549	236.8	3,823	355.2	5,108	474.6	108	12	9320**	4,227.5**	10,580**	4,799.0**
144 MBWS8	1845	171.4	1,699	157.9	3,398	315.7	5,098	473.6	6,811	632.8	144	12	—	—	10,088	4,575.8
144 MBWS10	2307	214.3	1,699	157.9	3,398	315.7	5,098	473.6	6,811	632.8	144	12	—	—	10,559	4,789.5
162 MBT(W)8	2078	193.1	1,912	177.6	3,823	355.2	5,735	532.8	7,663	711.9	162	18	9300	4,218.4	9200	4,173.0
162 MBT(W)10	2598	241.4	1,912	177.6	3,823	355.2	5,735	532.8	7,663	711.9	162	18	10,800	4,898.8	11,000	4,989.5
162 MBT(W)H8	2078	193.1	1,912	177.6	3,823	355.2	5,735	532.8	7,663	711.9	162	18	12,538	5,687.1	13,672	6,201.5
162 MBT(W)H10	2598	241.4	1,912	177.6	3,823	355.2	5,735	532.8	7,663	711.9	162	18	13,725	6,225.6	15,302	6,940.9
189 MBT(W)H8	2423	225.1	2,230	207.2	4,460	414.4	6,691	621.6	8,940	830.5	189	21	13,532	6,138.0	14,565	6,606.6
189 MBT(W)H10	3029	281.4	2,230	207.2	4,460	414.4	6,691	621.6	8,940	830.5	189	21	14,910	6,763.1	16,508	7,487.9
225 MBWS8	2884	267.9	2,655	246.7	5,310	493.3	7,965	740.0	10,643	988.7	225	15	—	—	14,460	6,558.9
225 MBWS10	3606	335.0	2,655	246.7	5,310	493.3	7,965	740.0	10,643	988.7	225	15	—	—	15,481	7,022.1
243 MBT(W)8	3117	289.6	2,867	266.4	5,735	532.8	8,602	799.2	11,494	1,067.8	243	27	13,300	6,032.8	14,700	6,667.8
243 MBT(W)10	3897	362.0	2,867	266.4	5,735	532.8	8,602	799.2	11,494	1,067.8	243	27	15,200	6,894.6	17,200	7,801.8
297 MBT(W)H8	3808	353.8	3,505	325.6	7,009	651.2	10,514	976.8	14,048	1,305.1	297	33	20,173	9,150.3	21,390	9,702.3
297 MBT(W)H10	4760	442.2	3,505	325.6	7,009	651.2	10,514	976.8	14,048	1,305.1	297	33	21,924	9,944.6	24,172	10,964.2
324 MBT(W)8	4156	386.1	3,823	355.2	7,646	710.4	11,470	1,065.6	15,325	1,423.8	324	36	18,900	8,572.9	21,400	9,706.9
324 MBT(W)10	5196	482.7	3,823	355.2	7,646	710.4	11,470	1,065.6	15,325	1,423.8	324	36	21,700	9,843.0	24,000	10,886.2
324 MBT(W)H8	4156	386.1	3,823	355.2	7,646	710.4	11,470	1,065.6	15,325	1,423.8	324	36	21,570	9,784.0	21,755	9,867.9
324 MBT(W)H10	5196	482.7	3,823	355.2	7,646	710.4	11,470	1,065.6	15,325	1,423.8	324	36	23,215	10,530.1	25,495	11,564.3
324 MBWS8	4156	386.1	3,823	355.2	7,646	710.4	11,470	1,065.6	15,325	1,423.8	324	36	—	—	20,076	9,106.3
324 MBWS10	5196	482.7	3,823	355.2	7,646	710.4	11,470	1,065.6	15,325	1,423.8	324	36	—	—	20,154	9,141.7
405 MBT(W)8	5195	482.6	4,779	444.0	9,558	888.0	14,337	1,332.0	19,157	1,779.7	405	45	23,300	10,568.7	26,000	11,793.4
405 MBT(W)10	6495	603.4	4,779	444.0	9,558	888.0	14,337	1,332.0	19,157	1,779.7	405	45	26,900	12,201.6	28,900	13,108.8

* Based on clean filters.

** Two pyramid hoppers. Single outlet hopper also available.

Model	A		B				C		D				E	
	MBT/MBW		MBT 48-in		MBT 72-in		MBT		MBW 48-in		MBW 72-in		MBW	
	in	mm	in	mm	in	mm	in	mm	in	mm	in	mm	in	mm
36 MBT5	57.5	1,460.5	209.7	5326.4	—	—	—	—	—	—	—	—	—	—
36 MBT6	57.5	1,460.5	221.7	5631.2	—	—	—	—	—	—	—	—	—	—
36 MBT8	57.5	1,460.5	245.7	6240.8	—	—	—	—	—	—	—	—	—	—
54 MBT6	57.5	1,460.5	244.2	6202.7	—	—	—	—	—	—	—	—	—	—
54 MBT8	57.5	1,460.5	268.2	6812.3	—	—	—	—	—	—	—	—	—	—
54 MBT10	57.5	1,460.5	292.2	7421.9	—	—	—	—	—	—	—	—	—	—
54 MBT(W)H8	85.0	2,159.0	268.1	6809.7	292.1	7419.3	—	—	294.1	7470.1	318.1	8,079.7	—	—
54 MBT(W)H10	85.0	2,159.0	292.1	7419.3	316.1	8028.9	—	—	342.1	8689.3	366.1	9,298.9	—	—
81 MBT(W)8	85.0	2,159.0	268.2	6812.3	292.2	7421.9	—	—	294.1	7470.1	318.1	8,079.7	—	—
81 MBT(W)10	85.0	2,159.0	292.2	7421.9	316.2	8031.5	—	—	342.1	8689.3	366.1	9,298.9	—	—
81 MBT(W)H8	111.0	2,819.4	290.8	7386.3	314.8	7995.9	—	—	316.7	8044.2	340.7	8,653.8	—	—
81 MBT(W)H10	111.0	2,819.4	314.8	7995.9	338.8	8605.5	—	—	364.7	9263.4	388.7	9,873.0	—	—
108 MBT(W)8	111.0	2,819.4	290.8	7386.3	314.8	7995.9	—	—	316.7	8044.2	340.7	8,653.8	—	—
108 MBT(W)10	111.0	2,819.4	314.8	7995.9	338.8	8605.5	—	—	364.7	9263.4	388.7	9,873.0	—	—
108 MBT(W)H8	137.0	3,479.8	268.2*	6812.3*	292.2*	7421.9*	—	—	294.1	7470.1	318.1	8,079.7	—	—
108 MBT(W)H10	137.0	3,479.8	292.2*	7421.9*	316.2*	8031.5*	—	—	342.1	8689.3	366.1	9,298.9	—	—
144 MBWS8	111.0	2,819.4	—	—	—	—	—	—	316.6	8041.6	340.6	8,651.2	—	—
144 MBWS10	111.0	2,819.4	—	—	—	—	—	—	364.6	9260.8	388.6	9,870.4	—	—
162 MBT(W)8	163.0	4,140.2	268.2	6812.3	292.2	7421.9	292.3	7,424.4	294.1	7470.1	318.1	8,079.7	318.4	8087.4
162 MBT(W)10	163.0	4,140.2	292.2	7421.9	316.2	8031.5	316.2	8,031.5	342.1	8689.3	366.1	9,298.9	366.1	9298.9
162 MBT(W)H8	215.0	5,461.0	268.3	6814.8	292.3	7424.4	292.3	7,424.4	294.1	7470.1	318.1	8,079.7	318.1	8079.7
162 MBT(W)H10	215.0	5,461.0	292.3	7424.4	316.3	8034.0	316.3	8,034.0	342.1	8689.3	366.1	9,298.9	366.1	9298.9
189 MBT(W)H8	241.0	6,121.4	268.2	6812.3	292.2	7421.9	292.3	7,424.4	294.1	7470.1	318.1	8,079.7	318.1	8079.7
189 MBT(W)H10	241.0	6,121.4	292.2	7421.9	316.2	8031.5	316.2	8,031.5	342.1	8689.3	366.1	9,298.9	366.1	9298.9
225 MBWS8	137.0	3,479.8	—	—	—	—	—	—	339.1	8613.1	363.1	9,222.7	—	—
225 MBWS10	137.0	3,479.8	—	—	—	—	—	—	387.1	9832.3	411.1	10,441.9	—	—
243 MBT(W)8	241.0	6,121.4	268.2	6812.3	292.2	7421.9	292.2	7,421.9	294.1	7470.1	318.1	8,079.7	318.1	8079.7
243 MBT(W)10	241.0	6,121.4	292.2	7421.9	316.2	8031.5	316.2	8,031.5	342.1	8689.3	366.1	9,298.9	366.1	9298.9
297 MBT(W)H8	371.0	9,423.4	268.3	6814.8	292.3	7424.4	292.3	7,424.4	294.1	7470.1	318.1	8,079.7	318.1	8079.7
297 MBT(W)H10	371.0	9,423.4	292.3	7424.4	316.3	8034.0	316.3	8,034.0	342.1	8689.3	366.1	9,298.9	366.1	9298.9
324 MBT(W)8	319.0	8,102.6	268.2	6812.3	292.2	7421.9	292.2	7,421.9	294.1	7470.1	318.1	8,079.7	318.1	8079.7
324 MBT(W)10	319.0	8,102.6	292.2	7421.9	316.2	8031.5	316.2	8,031.5	342.1	8689.3	366.1	9,298.9	366.1	9298.9
324 MBT(W)H8	395.5	10,045.7	268.1	6809.7	292.1	7419.3	292.1	7,419.3	294.1	7470.1	318.1	8,079.7	318.1	8079.7
324 MBT(W)H10	395.5	10,045.7	292.1	7419.3	316.1	8028.9	316.1	8,028.9	342.1	8689.3	366.1	9,298.9	366.1	9298.9
324 MBWS8	163.0	4,140.2	—	—	—	—	—	—	320.6	8143.2	344.6	8,752.8	—	—
324 MBWS10	163.0	4,140.2	—	—	—	—	—	—	417.3	10599.4	441.3	11,209.0	—	—
405 MBT(W)8	397.0	10,083.8	268.2	6812.3	292.2	7421.9	292.2	7,421.9	294.1	7470.1	318.1	8,079.7	318.1	8079.7
405 MBT(W)10	397.0	10,083.8	292.2	7421.9	316.2	8031.5	316.2	8,031.5	342.1	8689.3	366.1	9,298.9	366.1	9298.9

* Two pyramid hoppers. Single outlet hopper also available.

2 BREAKTHROUGH FILTER OPTIONS FOR YOUR MODULAR BAGHOUSE

DURA-LIFE FILTER BAGS PROVIDE TWICE THE LIFE OVER STANDARD 16 OZ POLYESTER BAGS

Traditional 16 oz polyester bags are produced via a needling process that creates larger pores where dust can embed into the fabric, inhibiting cleaning and reducing bag life. Dura-Life bags are engineered with a unique hydroentanglement process that uses water jets to blend the fibers. This process creates a felt with smaller pores which keeps more dust on the surface of the filter resulting in better pulse cleaning and longer bags life.

DURA-LIFE BENEFITS

- Up to two times longer bag life
- Energy savings due to lower pressure drop
- Reduced replacement bag and maintenance costs due to longer bag life

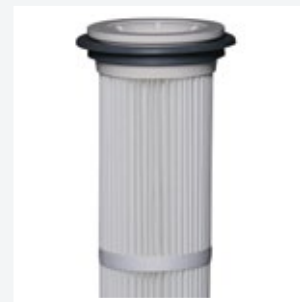


PLEATED BAGS WITH ULTRA-WEB SB PROVIDE LONGER LIFE AND REDUCED EMISSIONS

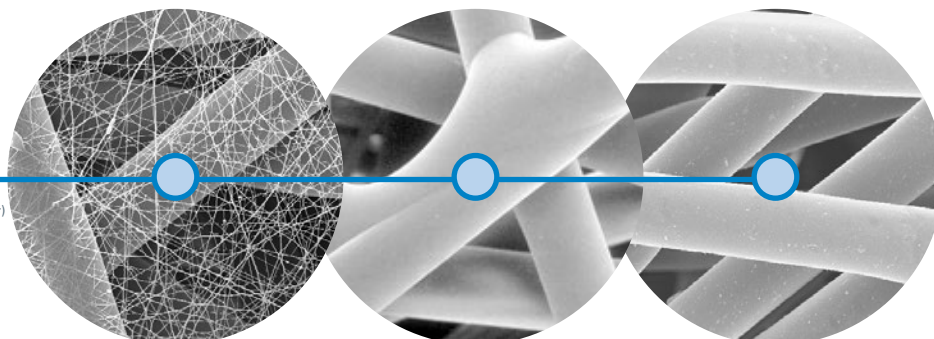
For more than two decades, Donaldson Torit has advanced the proven Ultra-Web nanofiber technology. Ultra-Web provides a very fine, continuous fiber of 0.2-0.3 micron in diameter to form a web-like net that traps dust on the surface of the media. Combining Ultra-Web technology with a sturdy spunbond polyester substrate, Ultra-Web SB pleated bag filters provide longer life, reduced downtime and reduced emissions.

ULTRA-WEB SB PLEATED BAG BENEFITS

- Reduced collector size and first cost
- Up to two times longer filter life
- Energy savings due to lower pressure drop
- Reduced maintenance and downtime costs
- Reduced compressed air costs



10 micron
 1 micron = 1/25,400 of an inch
 (1/1,000 of a millimeter)



**Ultra-Web SB
 Nanofiber Technology**
 (600x)

**Spunbond
 Media**
 (600x)

**Standard 16 oz.
 Polyester Media**
 (600x)

STANDARD FEATURES & AVAILABLE OPTIONS

Collector Design	Std	Opt
Clean Air Plenum with Top-Bag Removal	✓	
Heavy-Duty Ribbed Housing Construction	✓	
All-Welded, Carbon Steel Design - 12 Gauge Minimum	✓	
Heavy-Duty 10-Gauge Tubesheet	✓	
Filter Cleaning System	✓	
Service Railing with Kickplate per OSHA Specs (MBT)	✓	
Bottom Bag Removal		✓
High Temperature Construction		✓
Stainless Steel Construction		✓
Direct Drive Fans		✓
Power Pack Transition for TBI Fans		✓
Chamber and Exhaust Silencers		✓
Damper Pack		✓
Service Platform (MBW)		✓
Bags & Cages		
Dura-Life Twice the Life Polyester Felt Snap-In Bags	✓	
Galvanized Bag Cages	✓	
Ultra-Web® SB Pleated Bags		✓
Variety of Bag Media Options		✓
Articulated Cages		✓
Paint System		
Prime Coated Interior Space	✓	
Textured Multi-Coat Paint Finish with 2,000-Hour Salt Spray Performance	✓	
Premium Duty Finish		✓
Custom Colors		✓

* Magnehelic and Photohelic are registered trademarks of Dwyer Instruments, Inc.

† Donaldson Torit equipment is designed to IBC guidelines for specific wind speed exposure and seismic spectral acceleration at grade level. Contact your Donaldson Torit representative for detailed information available on the equipment's Spec Control drawings. Equipment may be customized to meet unique, customer-specified site requirements.

Hopper Design	Std	Opt
60° Pyramid Hoppers	✓	
Inlets with Deflector	✓	
Trough Hopper with Multiple or Single Inlets	✓	
Hopper Access Covers	✓	
Inlet Transitions		✓
Pyramid Hopper Cover with Flood Valve		✓
Hopper Discharge		
Slide Gate Pack		✓
55-Gallon (208.2-Liter) Drum Pack		✓
Dumpster Discharge with Dumpster		✓
AN Rotary Valves and Transitions		✓
Support Structure †		
48" (1,219.2 mm) Clearance Leg Pack (pyramid hoppers)	✓	
Stub Legs (trough hopper)	✓	
72" (1,828.8 mm) Clearance Leg Pack		✓
48" (1,219.2 mm) Clearance Ladder Pack		✓
72" (1,828.8 mm) Clearance Ladder Pack (with cages)		✓
Electrical Controls, Gauges and Enclosures		
Solenoid Valves in NEMA 4 Enclosure	✓	
Magnehelic®* Gauge	✓	
Control Timer in NEMA 4 Enclosure	✓	
Solenoid Enclosure in NEMA 7 or 9		✓
Photohelic®* Gauge		✓
Delta P or Delta P Plus Control Panel		✓
Safety Features		
Sprinkler Access Ports	✓	
Sprinkler Pack Assembly (wet or dry)		✓
Explosion Vents		✓
Warranty		
10-Year Warranty	✓	

Global Support

- Facilities in 37 countries
- 40 manufacturing plants and 14 distribution centers

Leading Technology

- Over 1,000 engineers and scientists worldwide
- Broad range of innovative collectors and filters
- 100s of filter media formulations

Experience and Service

- Technical expertise and support
- Ready-to-ship filters and parts within 24 hours
- 1,000,000+ dust, fume and mist collectors installed

Call Donaldson®Torit® to get cleaner air today:

800-365-1331

DonaldsonTorit.com



Tel 800-365-1331 (USA)
Tel 800-343-3639 (within Mexico)
Tel +52 (449) 300 24 42 Latin America

donaldsontorit@donaldson.com
donaldsontorit.com

Donaldson Company, Inc.
Torit
P.O. Box 1299
Minneapolis, MN
55440-1299 U.S.A.

EXACTLY WHAT YOU NEED.™

Modular Baghouse Dust Collector Brochure (11/15)
© 2015 Donaldson Company, Inc. All Rights Reserved. All products, product specifications, and data (airflow, capacity, dimensions, or availability) are subject to change without notice, and may vary by region or country. Donaldson Torit, Torit PowerCore, Ultra-Web, and the color blue are registered trademarks of Donaldson Company, Inc. Contains Donaldson proprietary technology.